

1. 適用範圍 / SCOPE

WE70 系列，適用於純電動汽車和混合動力汽車的全範圍分斷熔斷器。

WE70 series , general purpose fuse for EV/HEV.



2. 產品型號 / TYPE

例「example」：

WE70	300A	200V	①系列號 / Series Number ②額定電流 / Rated Current ③額定電壓 / Rated Voltage
↓	↓	↓	
①	②	③	

3. 額定電流和額定電壓/ RATED CURRENT AND RATED VOLTAGE

額定電流 / Rated Current: 100A~400A

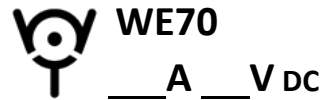
額定電壓 / Rated Voltage: 200V DC

4. 標示 / MARKING

保險絲上需有下列標示/The fuses shall have the following marking

製造工廠的標識+系列號/ Manufacture' s Logo+ Part Number.

額定電流+額定電壓/ Rated Current (A)+ Rated Voltage(V):



注意 / Note :

對標示的大小和位置沒有規定 / Size and position of the markings shall not be provided.

5. 外觀及形狀 / APPEARANCES AND CONFIGURATION

5-1 外觀：不應有破碎、明顯的污斑。

Appearances: There shall not be break up and any remarkable blotch.

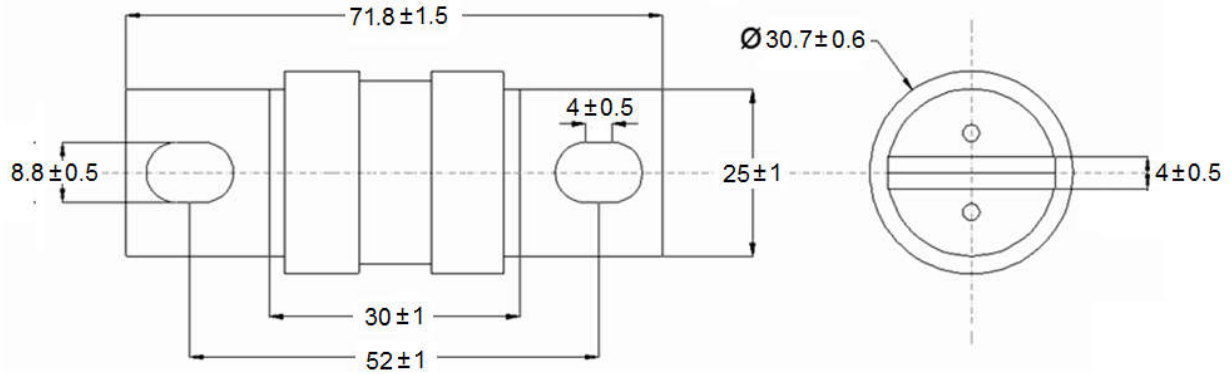
5-2 螺栓安裝,提供其他安裝方式選擇

Stud-mount, optional for other installtion

6. 工程圖和結構 / OUTLINE DRAWING AND STRUCTURE

6-1 工程圖 (單位: mm) / Outline Drawing and Dimensions (Unit: mm)

單體 Single


7. 電氣特性 / ELECTRICAL CHARACTERISTICS

Electrical Characteristics		
% of Ampere Rating (A)	Operating	
	Min	Max
200%	1	300
300%	0.2	30
500%	0.1	10

說明/Specifications

品名 Type	料號 Ordering P/N	額定電流 Rated Current	分斷能力 Interrupting rating
WE70	WE70-XXX-CT		200V dc/10kA
	WE70-100-CT	100A	
	WE70-150-CT	150A	
	WE70-200-CT	200A	
	WE70-250-CT	250A	
	WE70-300-CT	300A	
	WE70-400-CT	400A	

備注: /Remark:

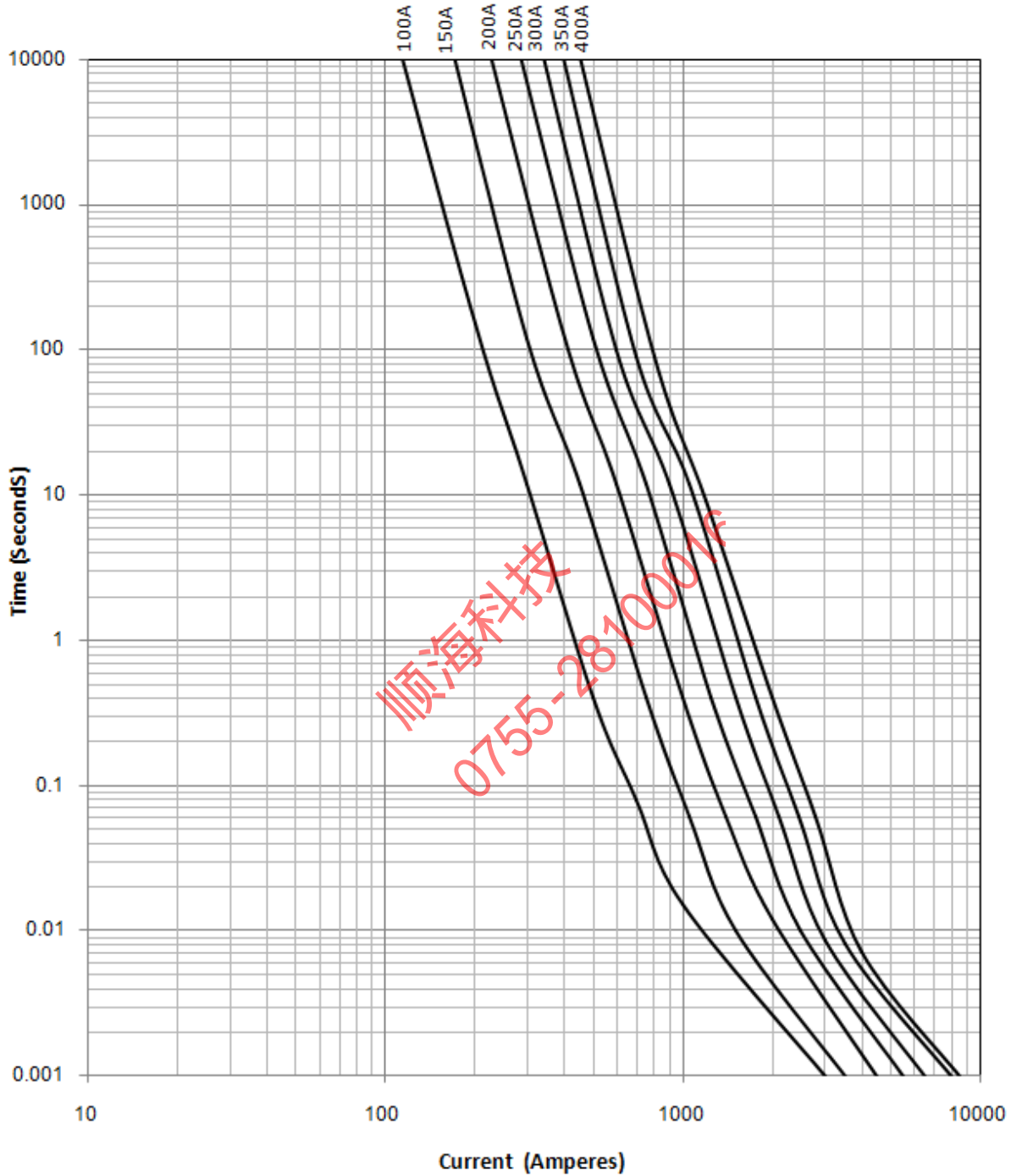
溫升/ Temperature Rise:

 50%額定電流小於等於 45K / $\leq 45K$ with 50% of rated current

8. 時間電流曲線 Time-Current Curve



Time Current Curve

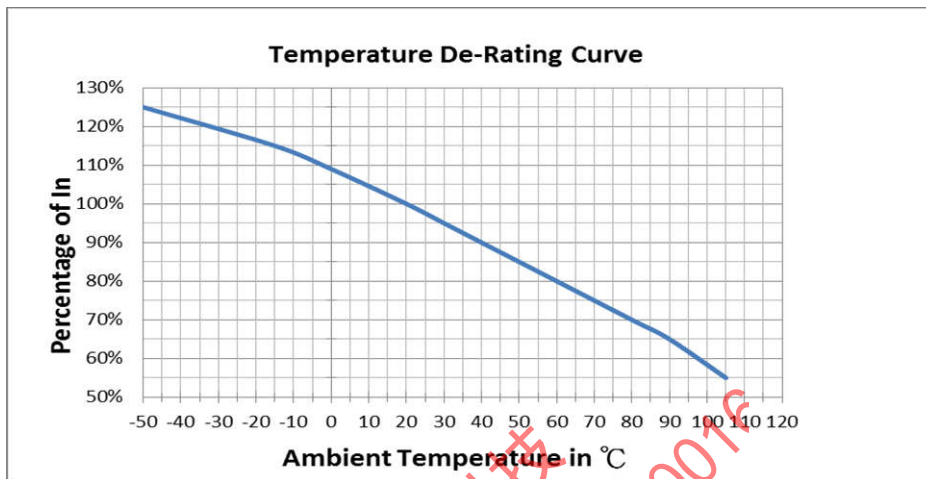


9. 環境特性 / ENVIRONMENTAL CHARACTERISTIC
9-1 操作溫度範圍: -55°C ~ 125°C / Operating Temperature:-55°C ~ 125°C

若貴司操作環境溫度超出25±5°C範圍，在選用保險絲規格時，需考慮操作環境溫度對保險絲的影響。
請參照：溫度-電流曲線圖。

When choosing the fuse's specification, if the operating environmental temperature beyond the scope from 20~30°C, you should consider the environmental temperature's affection to fuses.

Please refer: Temperature-Current curve:


9-2 存儲條件 / Storage Conditions

在溫度+10°C ~ 60°C、相對濕度≤75%的密閉條件下可存放3年。

Under airtight in temperature+10°C ~ 60°C、relative humidity ≤75% can store 3 years.

在溫度+10°C ~ 60°C、相對濕度為95%的非露天下最多可存放30天。

Without dew in temperature+10°C ~ 60°C、relative humidity be 95% maximum value for 30days.

10. 安裝方式及條件 / INSTALLATION WAY AND PARAMETERS
10-1. 螺栓安裝,提供其他安裝方式選擇

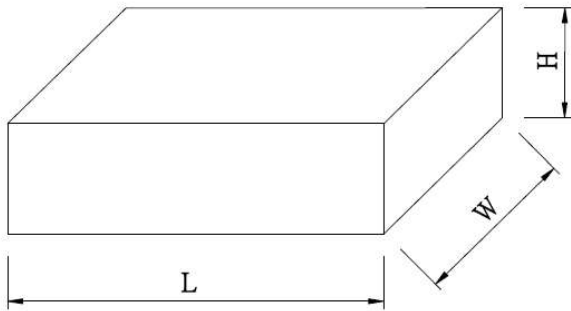
Stud-mount, optional for other installtion

11. 包裝及數量 / Packing And Quantity
11-1 數量/ Quantity

規格 Specification	內盒 / Inner box	外箱 / Outer carton
WE70-XXX-CT	1PCS	129PCS

11-2 內包裝盒/Inner box of packing

單位/Unit : mm

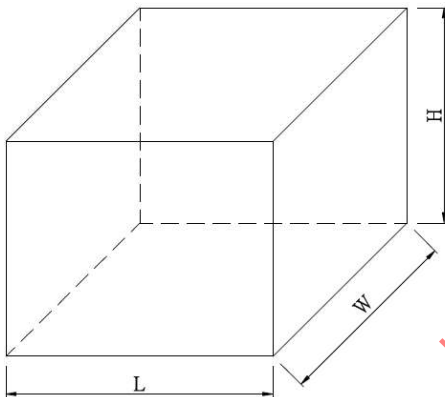


规格/Specification	L	W	H
WE70-XXX-CT	31±5	31±5	92±5



11-3 外包裝箱/Outer box of packing

單位/Unit : mm



规格/Specification	L	W	H
WE70-XXX-CT	380±5	245±5	200±5

12. 其他 / OTHERS

12-1 如果在使用中有超出本規格書的要求，必須經由雙方協商確認。

In the event that an impropriety is found beyond this specification, it shall be fixed by mutual agreement between the parties.

12-2 如果本規格書有不適當的情況，必須通過雙方協商並由本公司修改。

In the event that an impropriety is found in this specification, WALTER ELECTRONIC CO., LTD. shall amend it by mutual agreement between the parties.

版次	製作	確認	審核
第一版	侯愛珍	吳讓彬	Andrew